

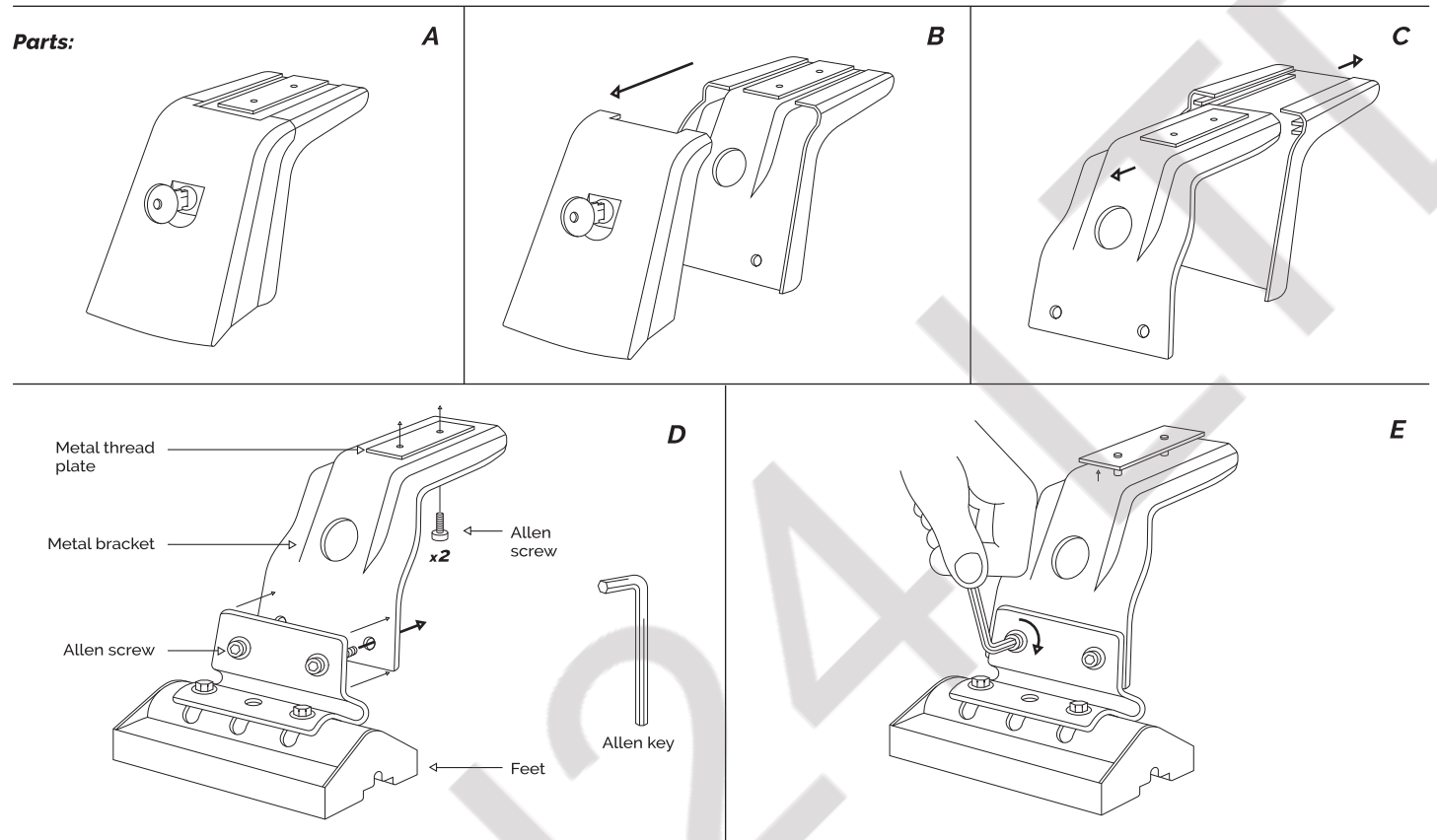
Fitting Instructions

Model: 103B/106B

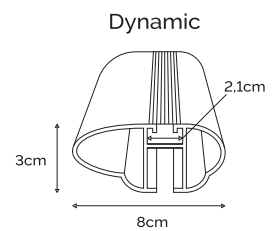
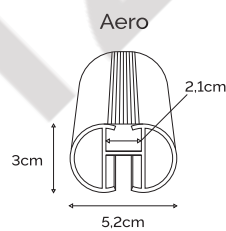
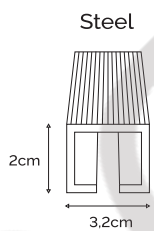
FIXED POINTS



Parts:

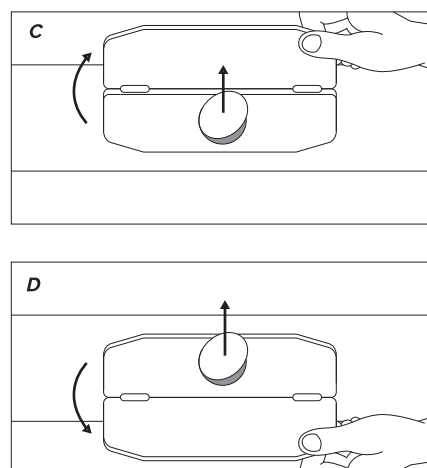
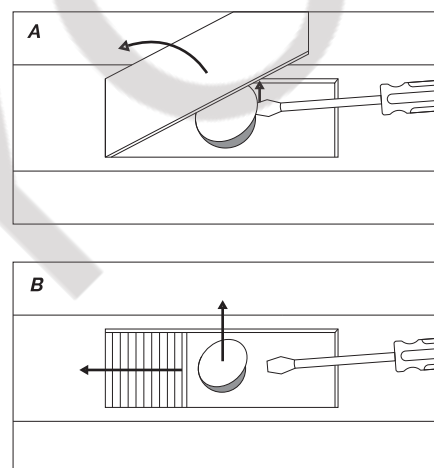


Bar types:

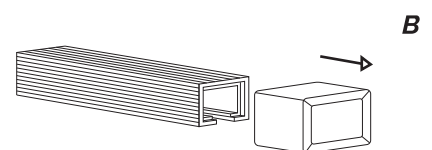
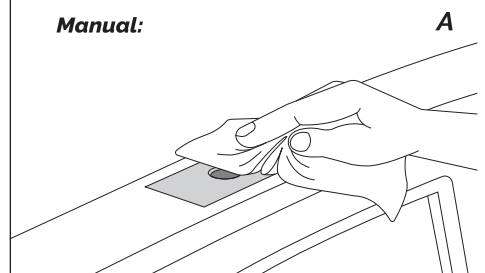


Please use additional rubber and fill in visible slots underneath the bar.
Do not use the additional plastic adapters included in the set.

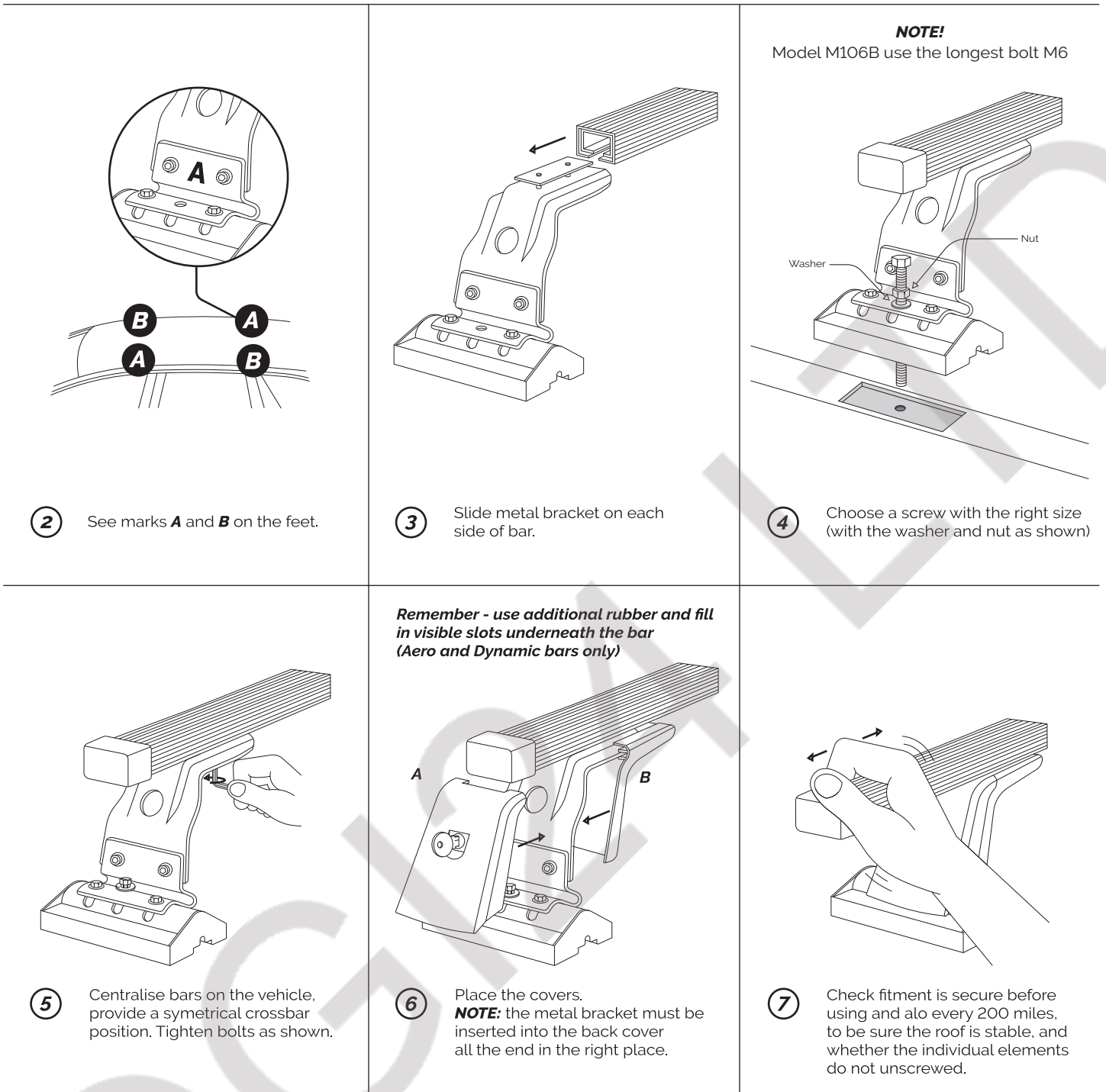
Open/remove flap or caps or under a layer of varnish or silicone.
B. Clean a thread hole from dirt or paint. In case of rust, use a tread tap (1.a)



Manual:



1 A Clean a thread hole.
B Remove end caps from bars.



Safety Notes

You need to avoid:



CONTACT
Email: office@yogi24.co.uk
www.yogi24.co.uk
www.facebook.com/yogi24ltd

YOGI24 LTD
East Belfast Enterprise Centre, 68-72 Newtownards Road
BT4 1GW Belfast, Northern Ireland