

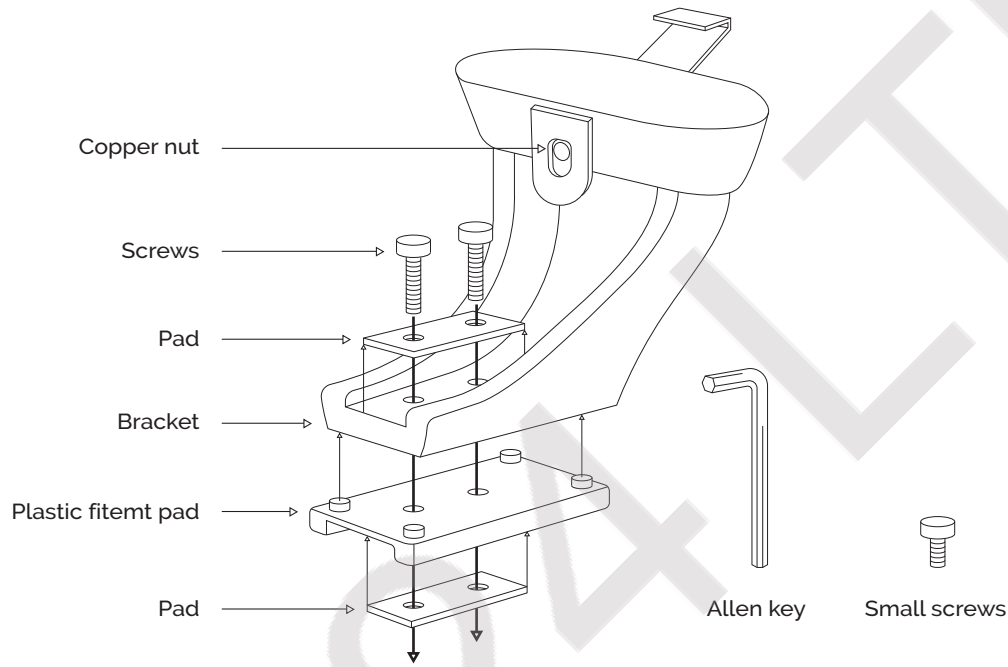
# Fitting Instructions

Model: OKB/OK2

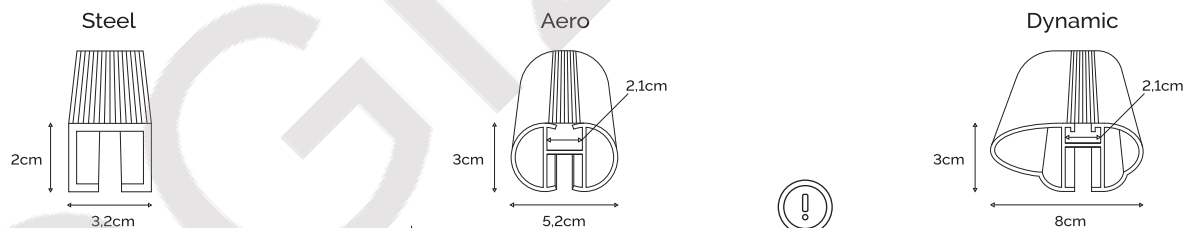
FIXED POINTS



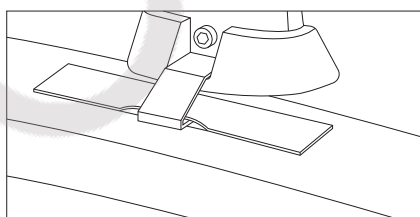
## Parts:



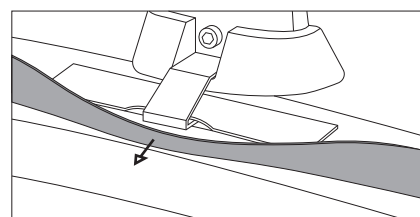
## Bar types:



Please use additional rubber and fill in visible slots underneath the bar.

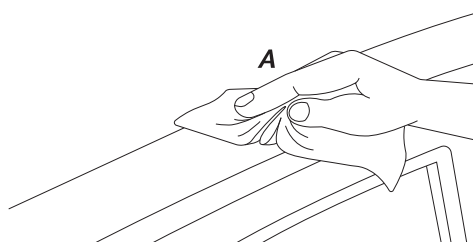


Mounting point located on the roof.



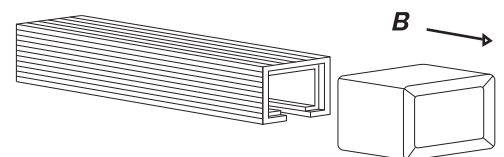
Mounting point hidden under a plastic or rubber strip.

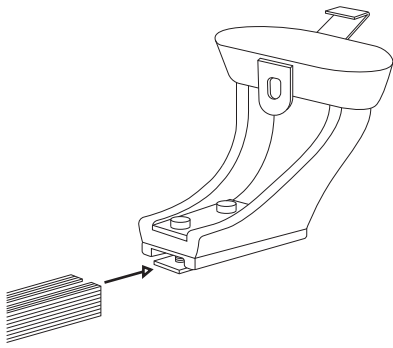
## Manual:



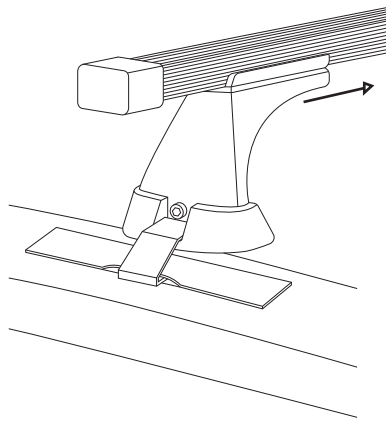
1

A Clean a thread hole.  
B Remove end caps from bars.

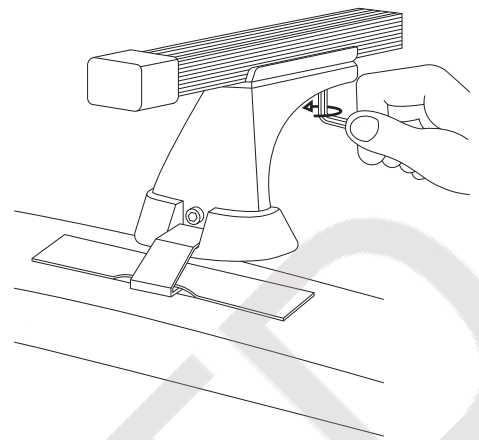




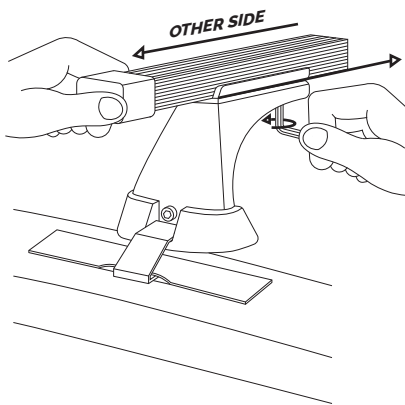
② Remove end caps. Slide in foot into bars. Remember to use protective rubber pad on clamps.



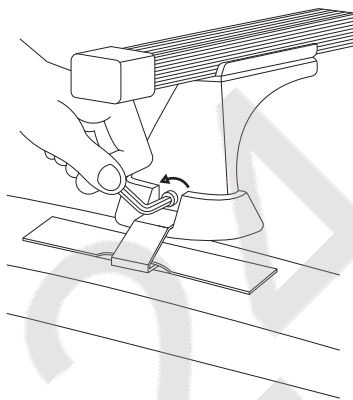
③ Carefully locate the bar/foot on the mounting point.



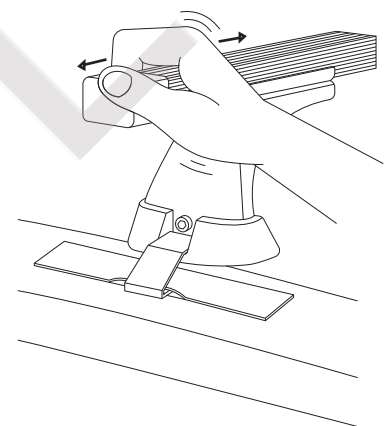
④ Using allen key screw the bracket tightly to the bar on one side.



⑤ Pull the bar on the other side, hold it and screw tightly the handle to the bar in other side. Handles have to be as close to the centre of bar as much as possible.



⑥ Fully tighten bolt **ANTI-CLOCKWISE**



⑦ Check fitment is secure before using and also every 200 miles, to be sure the roof is stable, and whether the individual elements do not unscrewed.

*If the construction is loose, please repeat the operation, start by fitting the handles as close as possible to the middle of the bar.*

## Safety Notes

**You need to avoid:**



Quick Acceleration



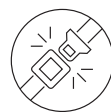
Bad roads



Heavy braking



Oversized loads



Improperly fastened loads



Uneven loading



Max load



Check fitment



### CONTACT

Email: [office@yogi24.co.uk](mailto:office@yogi24.co.uk)  
[www.yogi24.co.uk](http://www.yogi24.co.uk)  
[www.facebook.com/yogi24ltd](https://www.facebook.com/yogi24ltd)

### YOGI24 LTD

East Belfast Enterprise Centre, 68-72 Newtownards Road  
 BT4 1GW Belfast, Northern Ireland