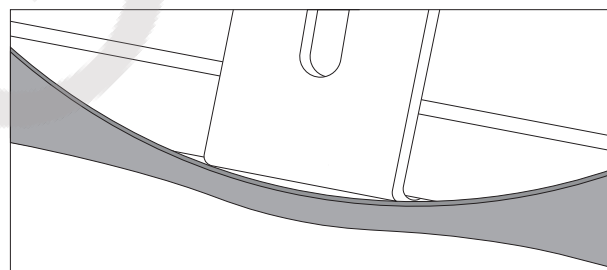
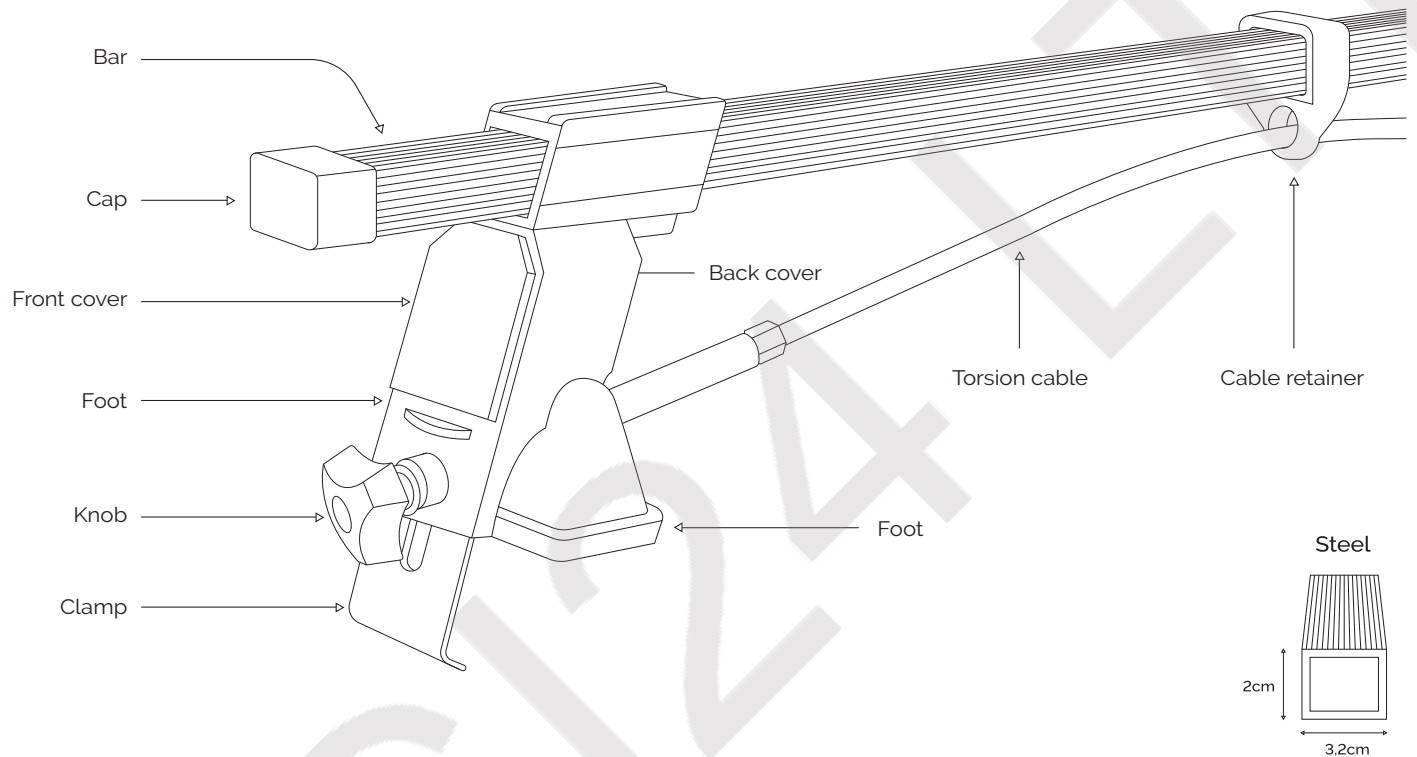


# Fitting Instructions

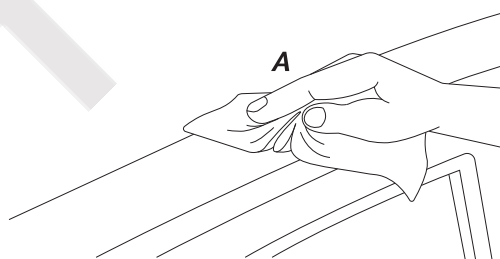
Model: MxTR



## Parts:

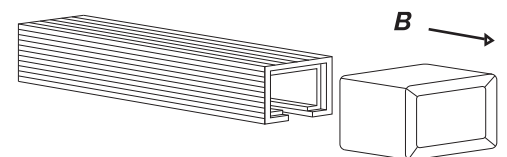


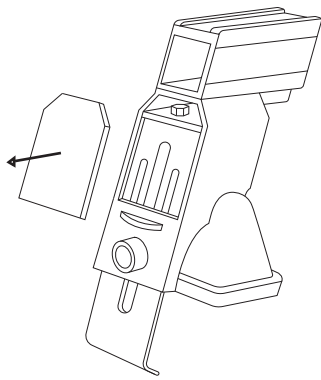
## Manual:



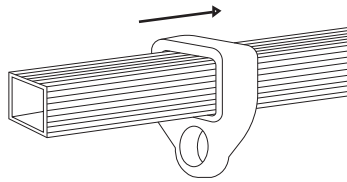
1

A Clean the thread hole  
B Remove end caps from bars.

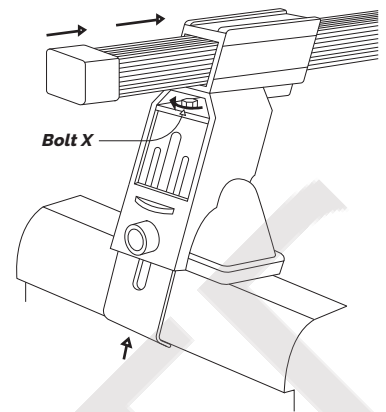




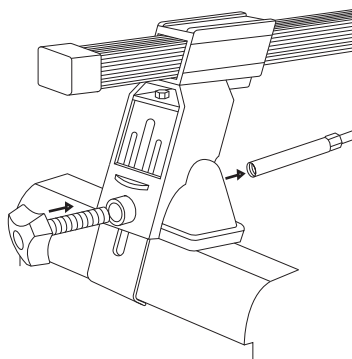
**2** Remove end covers from foot.



**3** Slide the torsion cable retainer onto each bar.

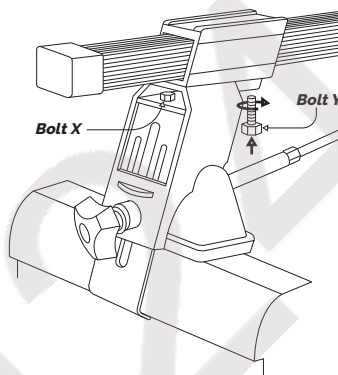


**4**  
**A)** Slide foot assemblies on each end of bars. Replace end caps.  
**B)** Carefully locate the bar/foot assembly on the roof at the appropriate position with pad close to the edge of the roof.  
**C)** Locate the clamp plates under the contour of door frame and manually tighten using bolt X.

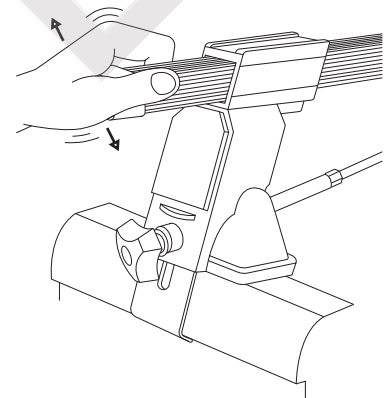


**5**  
**A)** Thread through hole in cable retainer.  
**B)** Insert the end of the cables onto the round holes.  
**C)** Insert bolt M6x80 or M6x120 into

**If you have a problem getting to the X screw, you can remove the back cover.**



**6** Ensuring the bar rack assemblies with the clamp plates and pad as at the correct position and fitment then fully tighten using bolt X, holding the hexagon on torsion cable with a spanner, fully tighten using knobs. Centralise bars and tighten with screws Y. Replace foot end covers.



**7** Check fitment is secure before using and also every 200 miles, to be sure the roof is stable, and whether the individual elements do not unscrewed.

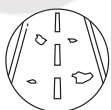
*If the construction is loose, please repeat the operation, start by fitting the handles as close as possible to the middle of the bar.*

## Safety Notes

**You need to avoid:**



Quick Acceleration



Bad roads



Heavy braking



Oversized loads



Improperly fastened loads



Uneven loading



Max load



Check fitment



**CONTACT**  
 Email: [office@yogi24.co.uk](mailto:office@yogi24.co.uk)  
[www.yogi24.co.uk](http://www.yogi24.co.uk)  
[www.facebook.com/yogi24ltd](https://www.facebook.com/yogi24ltd)

**YOGI24 LTD**  
 East Belfast Enterprise Centre, 68-72 Newtownards Road  
 BT4 1GW Belfast, Northern Ireland