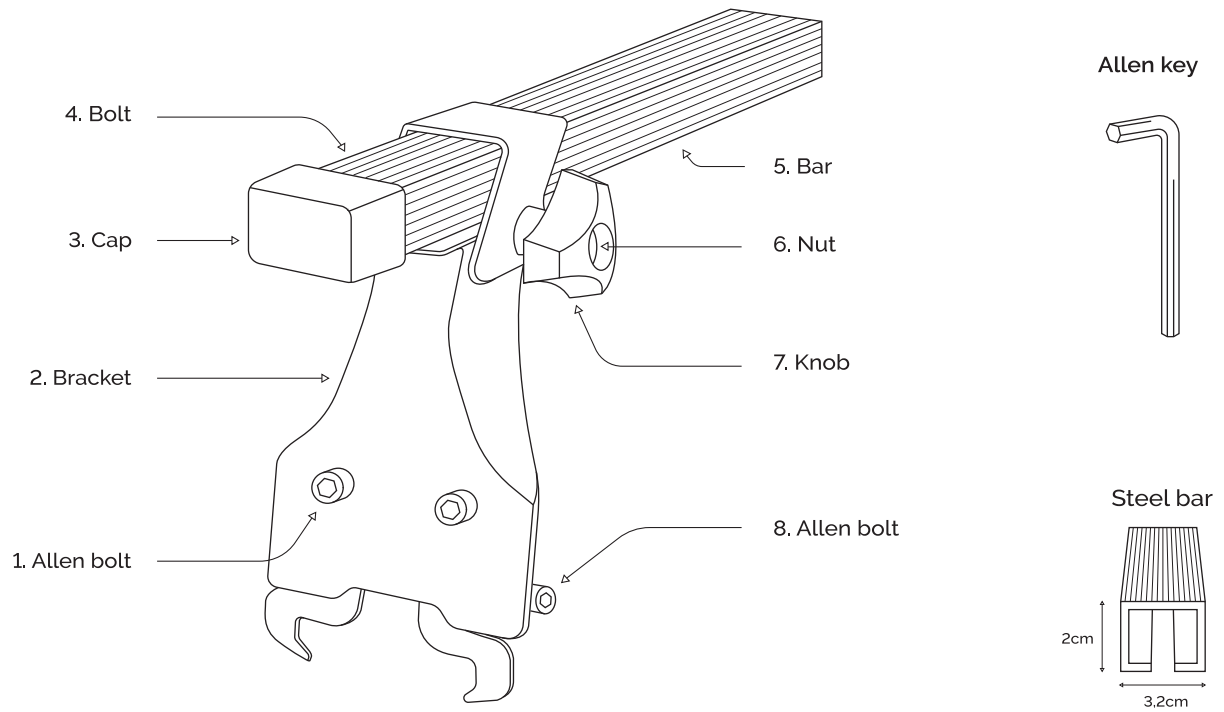


Fitting Instructions

Model: 10PO

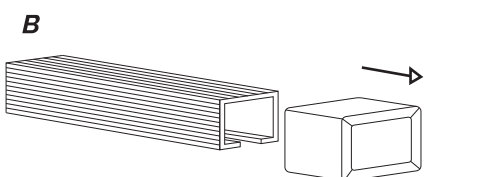
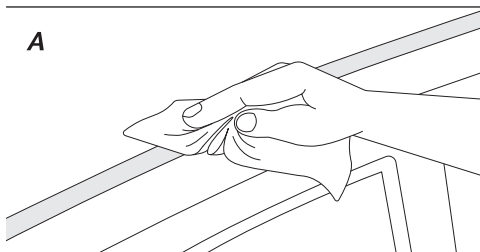
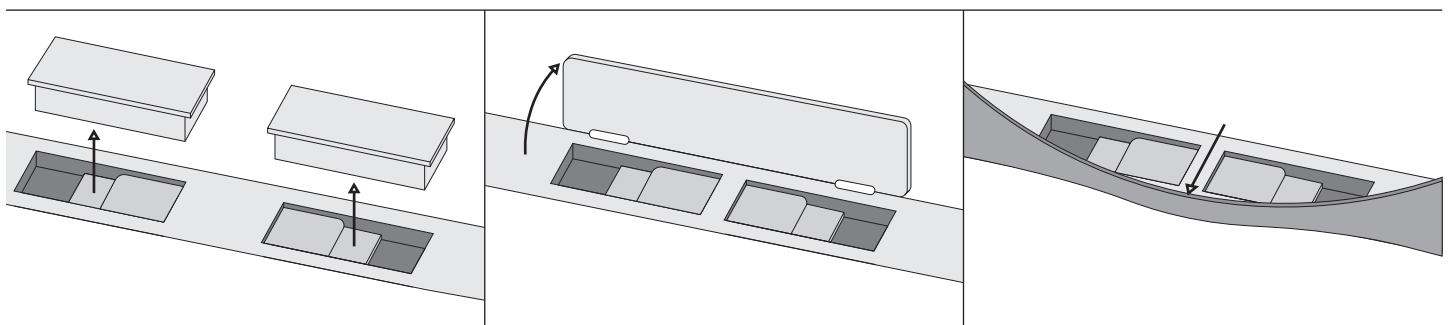


Parts:

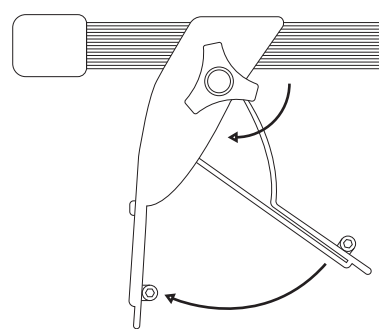


Manual:

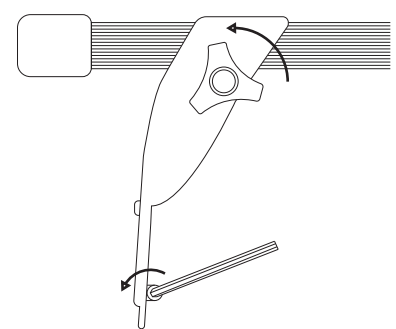
- 1** Remove trim from vehicle (as shown in the sample drawings)



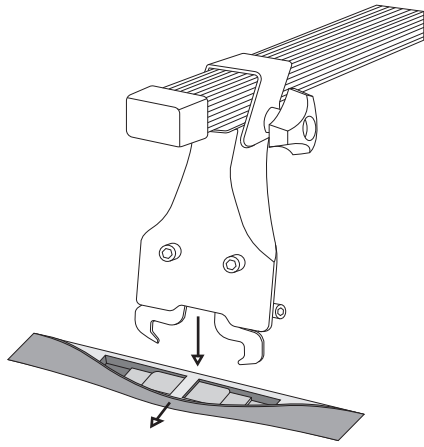
- 2** **A** Clean a place of assembly.
B Remove end caps from bars.



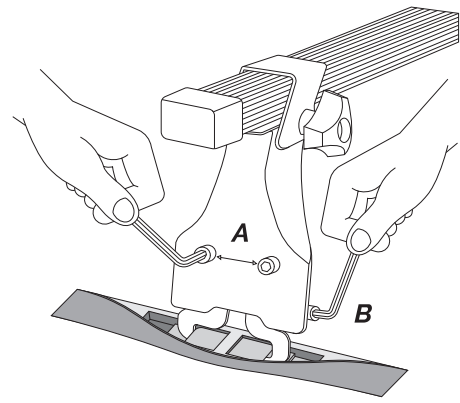
- 3** Loosen knob and open foot as shown.



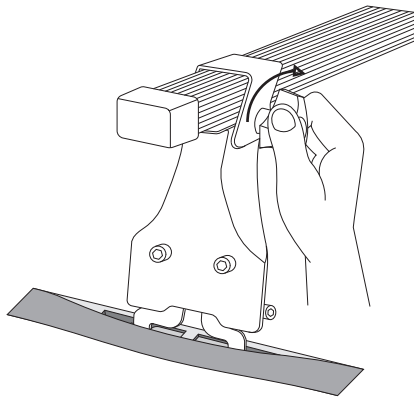
- 4** Loosen allen bolt (6.)



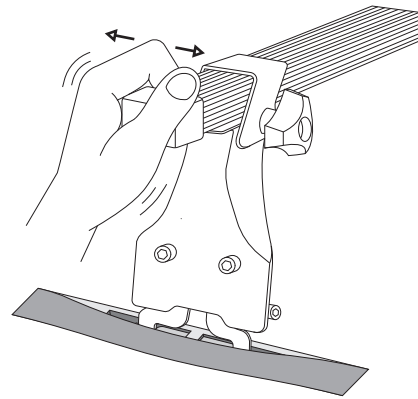
5 Locate and reveal the mounting location, place jaws the right way.



6 **A** Tighten bolt (1.) using allen key.
B Tighten bolt (8.) using allen key.



7 Tighten knob.
Pull the bar from the other side and repeat the procedure.

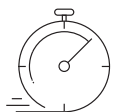


8 Check fitment is secure before using and also every 200 miles, to be sure the roof bars is stable, and whether the individual elements do not unscrewed.

Safety Notes



You need to avoid:



Quick Acceleration



Bad roads



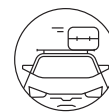
Heavy braking



Oversized loads



Improperly fastened loads



Uneven loading



Max load



Check fitment



CONTACT

Email: office@yogi24.co.uk
www.yogi24.co.uk
www.facebook.com/yogi24ltd

YOGI24 LTD

East Belfast Enterprise Centre, 68-72 Newtownards Road
BT4 1GW Belfast, Northern Ireland