

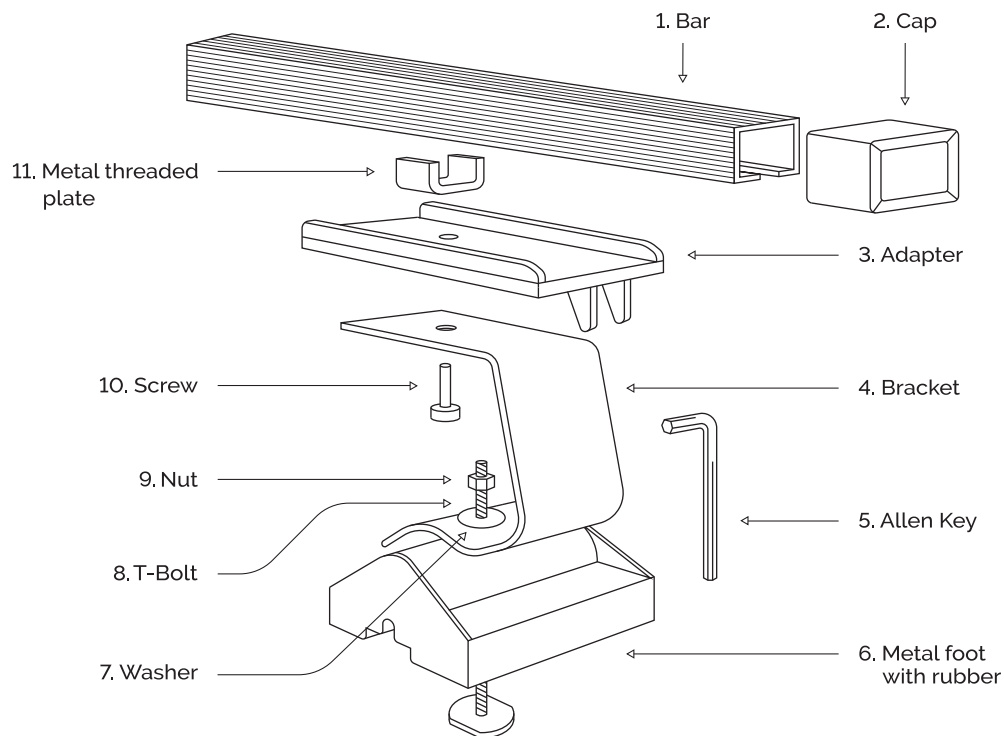
Fitting Instructions

Model: 0015T

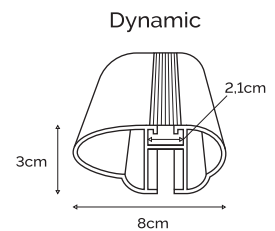
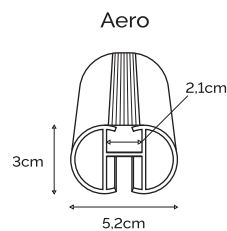
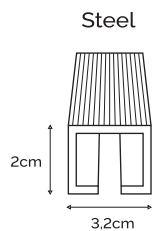
FIXED POINTS



Parts:

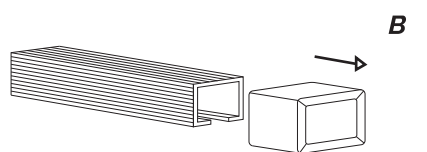
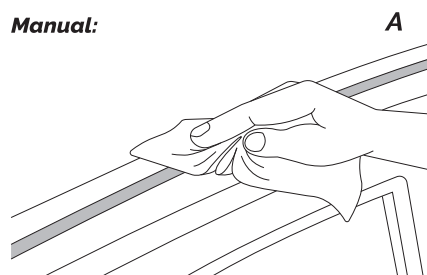


Bar types:

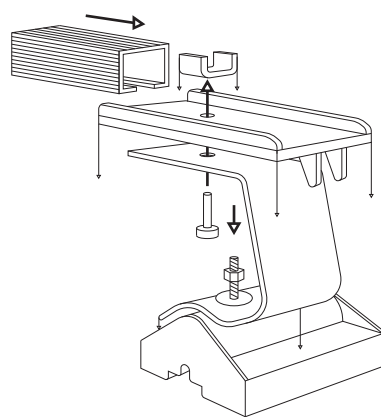


You need to use additional plastic adapter included in the set.

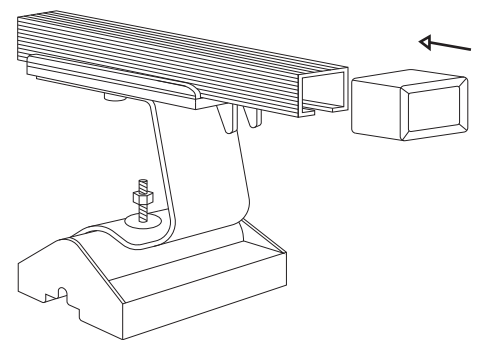
Manual:



- ① **A** Clean a place of assembly.
B Remove end caps from bars.

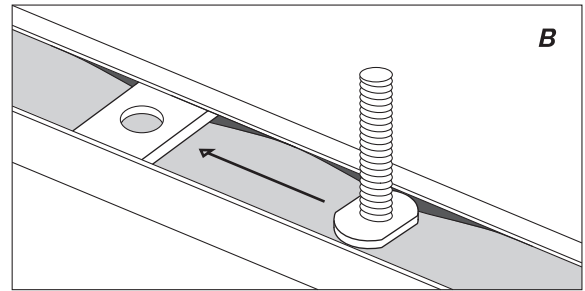
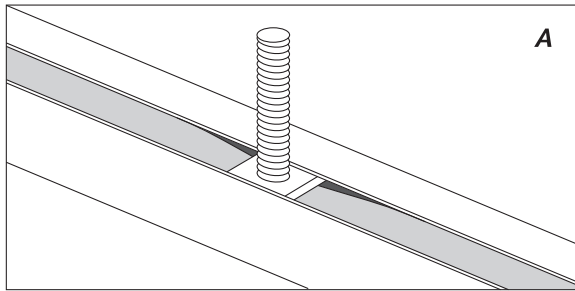


- ② Loosely attach bracket to foot assembly using screw.

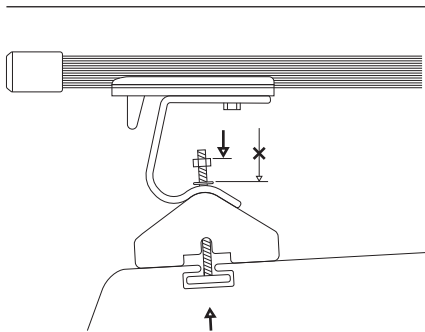


- ③ Slide foot assemblies on each end of bar as shown. Replace end caps.

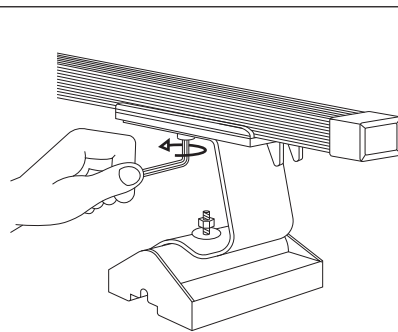
4 Find a suitable place for assembly.



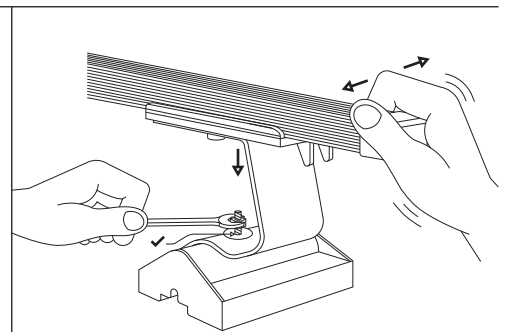
B If the screw is too narrow, use a washer.



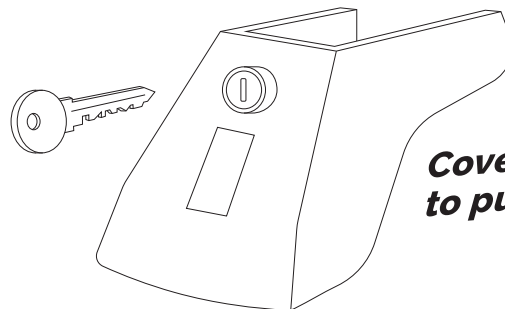
5 Select correct T-Bolt to suit your vehicle, place nut and washer onto bolt as shown. Locate bolt assembly through bracket and pad assembly and tighten into vehicle mounting point.



6 Using allen key loosely securing foot assemblies to bars.



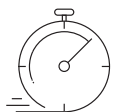
7 Fully tighten nut (5Nm). Check fitment is secure before using and also every 200 miles, to be sure the roof bars is stable and whether the individual elements do not unscrewed.



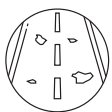
Covers with locks to purchase separately

Safety Notes

You need to avoid:



Quick Acceleration



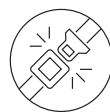
Bad roads



Heavy braking



Oversized loads



Improperly fastened loads



Uneven loading



Max load



Check fitment



CONTACT

Email: office@yogi24.co.uk
www.yogi24.co.uk
www.facebook.com/yogi24ltd

YOGI24 LTD

East Belfast Enterprise Centre, 68-72 Newtownards Road
 BT4 1GW Belfast, Northern Ireland