

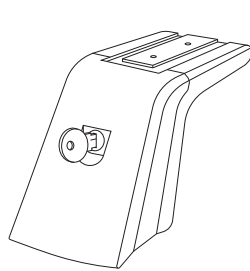
Fitting Instructions

Model: 110B

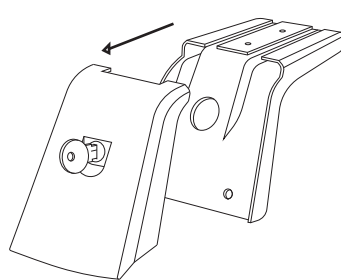
FLUSH RAILS



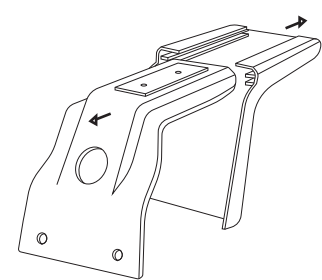
Parts:



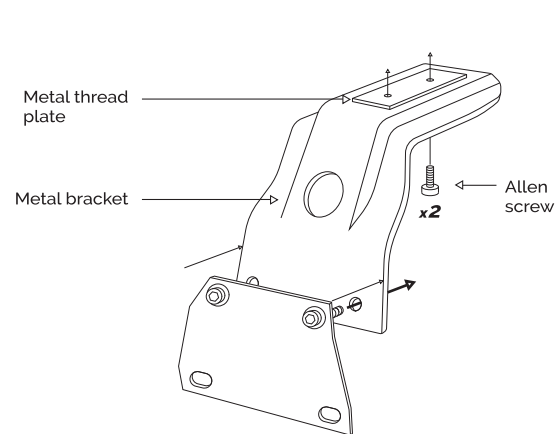
A



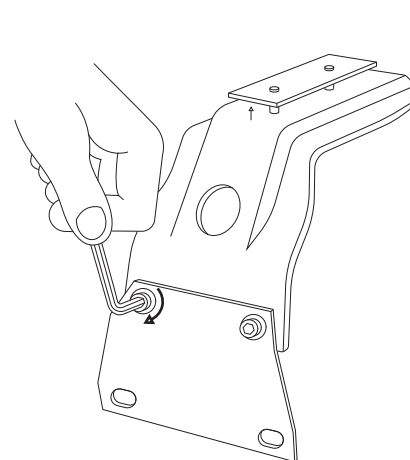
B



C



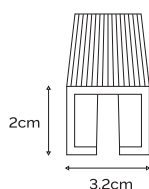
D



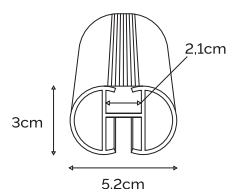
E

Bar types:

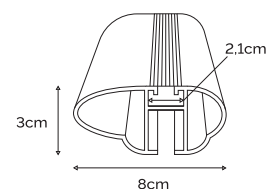
Steel



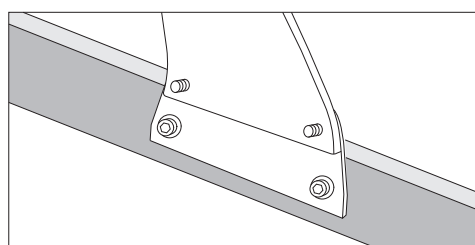
Aero



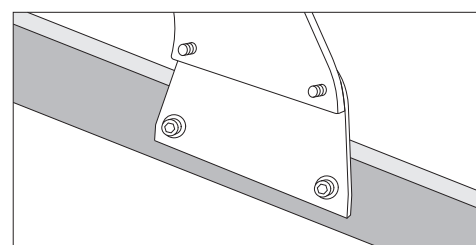
Dynamic



Please use additional rubber and fill in visible slots underneath the bar.
Do not use the additional plastic adapters included in the set.

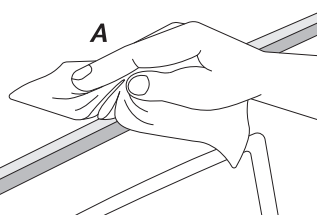


A



B

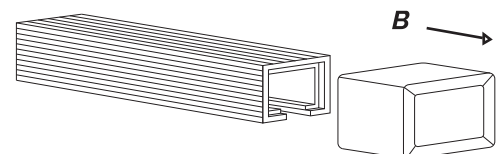
Manual:



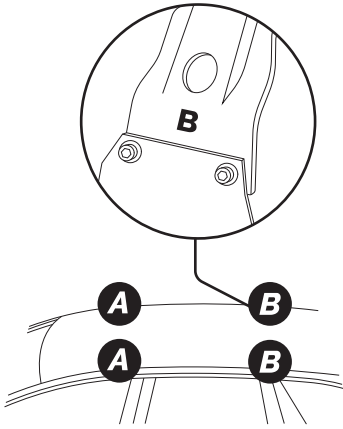
A

1

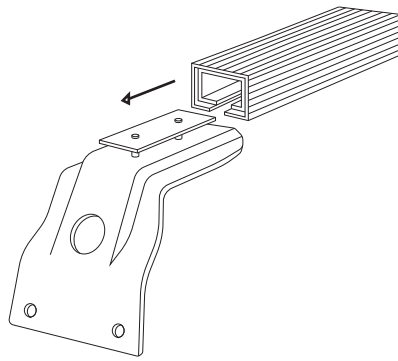
A Clean a thread hole.
B Remove end caps from bars.



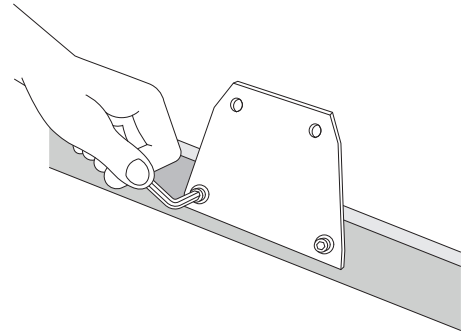
B



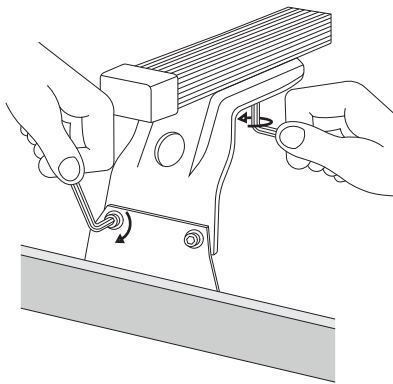
2 See marks **A** and **B** on the feet.



3 Slide metal bracket on each side of bar.

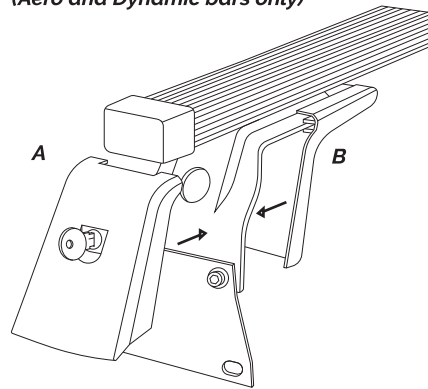


4 Use the right screws and plastic ring and tighten brackets to the fitting points in the rails.

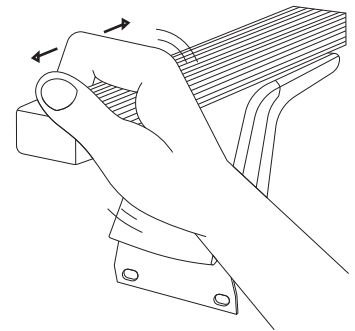


5 Centralise bars on the vehicle, provide a symmetrical crossbar position. Tighten bolts as shown.

Remember - use additional rubber and fill in visible slots underneath the bar (Aero and Dynamic bars only)



6 Place the covers. **NOTE:** the metal bracket must be inserted into the back cover all the end in the right place.



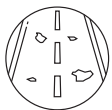
7 Check fitment is secure before using and also every 200 miles, to be sure the roof is stable, and whether the individual elements do not unscrewed.

Safety Notes

You need to avoid:



Quick Acceleration



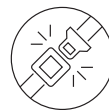
Bad roads



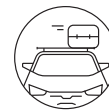
Heavy braking



Oversized loads



Improperly fastened loads



Uneven loading



Max load



Check fitment



CONTACT

Email: office@yogi24.co.uk
www.yogi24.co.uk
www.facebook.com/yogi24ltd

YOGI24 LTD

East Belfast Enterprise Centre, 68-72 Newtownards Road
 BT4 1GW Belfast, Northern Ireland