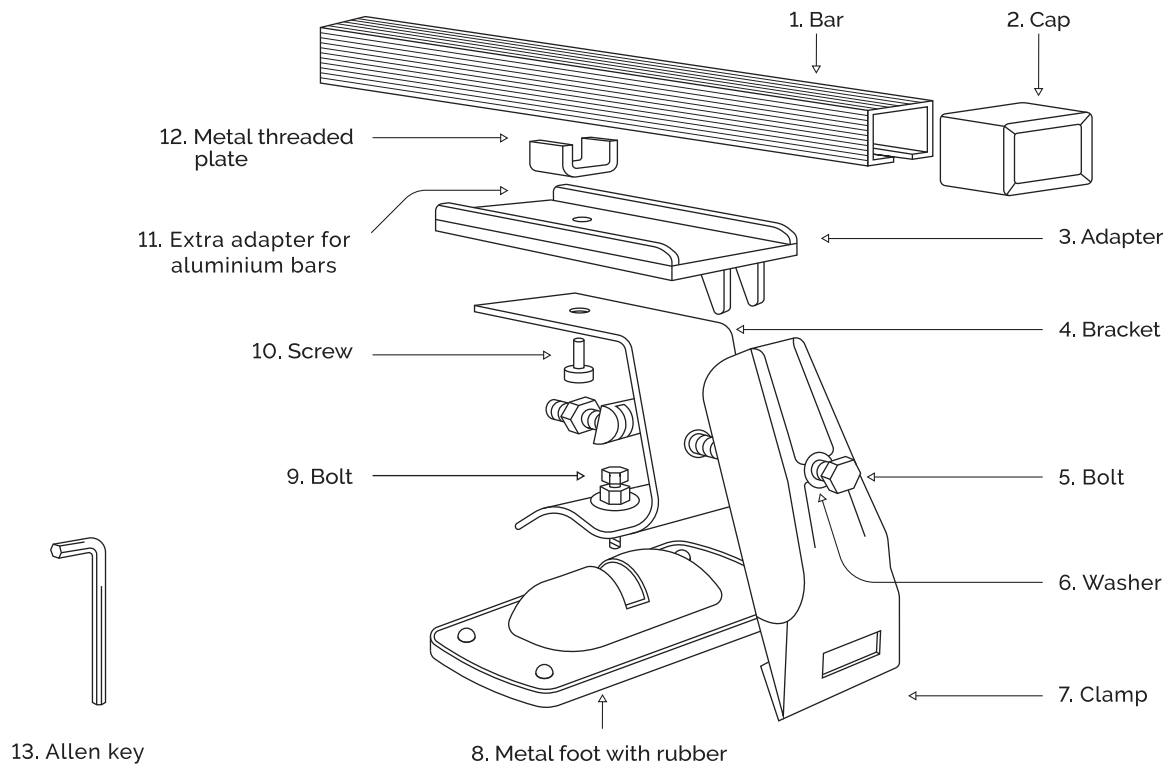


Fitting Instructions

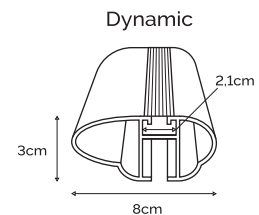
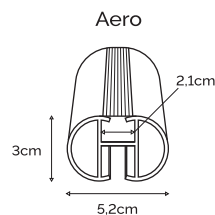
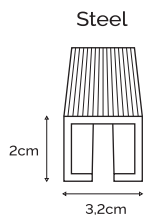
Model: DS



Parts:



Bar types:



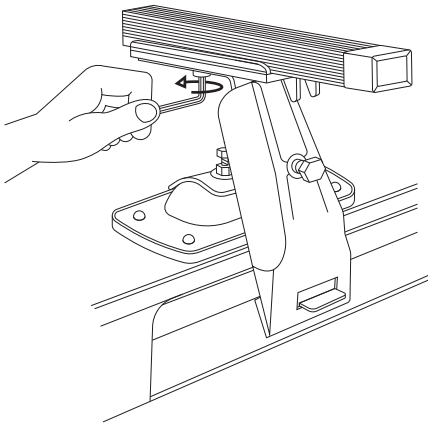
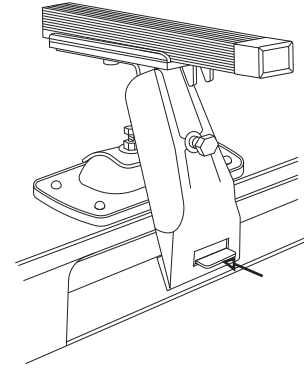
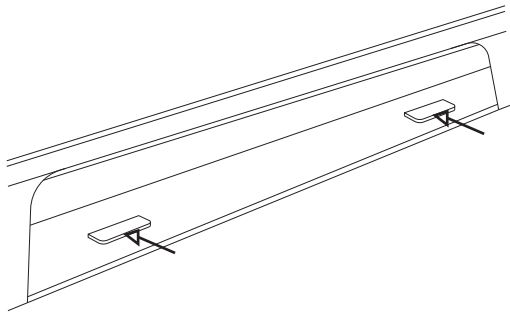
You need to use additional plastic adapter included in the set. Please use additional rubber and fill in visible slots underneath the bar.



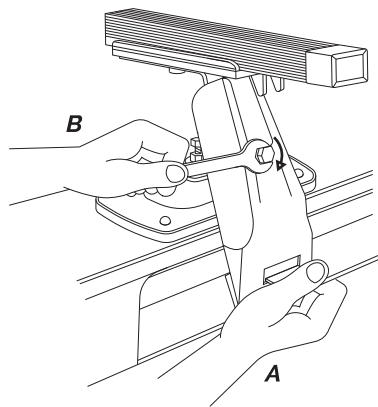
WARNING! please disconnect the electricity from the sliding door - during fitting of roof rack

Manual:

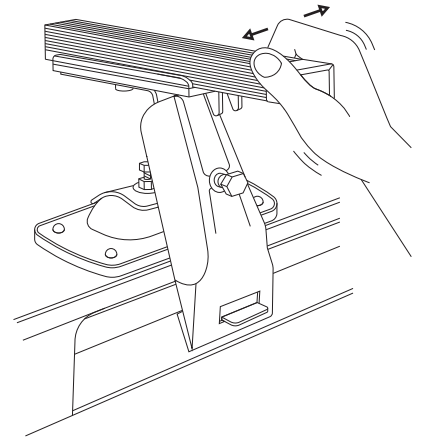
<p>A</p>	<p>2</p> <p>Loosely attach bracket to foot assembly using screw.</p>	<p>3</p> <p>Slide foot assemblies on each end of bar as shown. Replace end caps.</p>
<p>B</p> <p>1 A Clean a place of assembly. B Remove end caps from bars.</p>		



5 When fitting the brackets on the car roof, first loosely put them together and carefully place on the roof. Tighten bracket assembly to bar first.

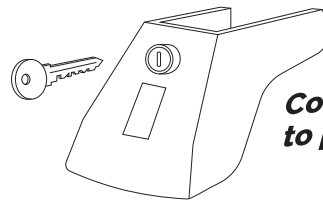


6 Centralize bar to correct position.
A Place your foot as close as possible to the part of the roof that is raised.
B Fit the clamp at the fixed point under the gasket.
 (Tighten bolts gradually on each side of the car)



7 Check fitment is secure before using and also every 200 miles, to be sure the roof bars is stable, and whether the individual elements do not unscrewed.

Safety Notes

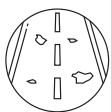


Covers with locks to purchase separately

You need to avoid:



Quick Acceleration



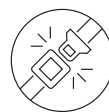
Bad roads



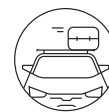
Heavy braking



Oversized loads



Improperly fastened loads



Uneven loading



Max load



Check fitment



CONTACT
 Email: office@yogi24.co.uk
www.yogi24.co.uk
www.facebook.com/yogi24ltd

YOGI24 LTD
 East Belfast Enterprise Centre, 68-72 Newtownards Road
 BT4 1GW Belfast, Northern Ireland