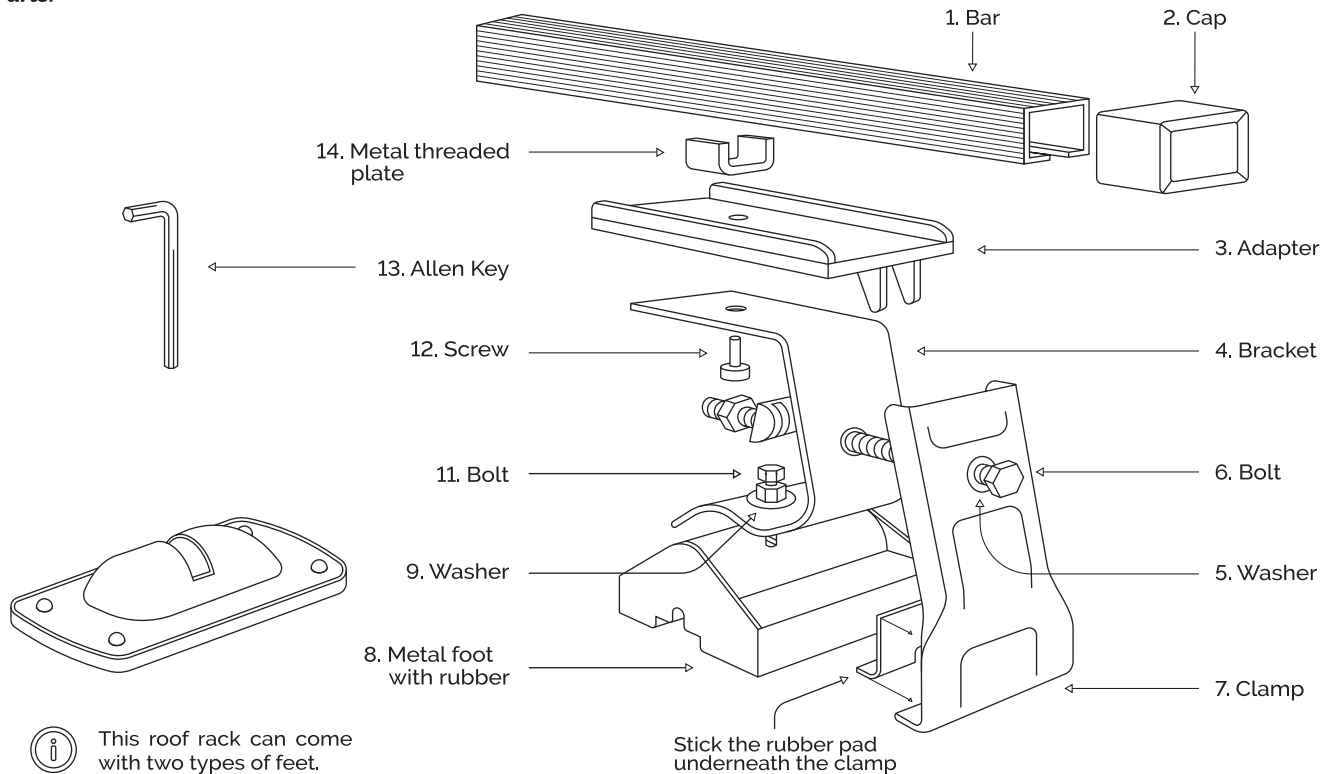


Fitting Instructions

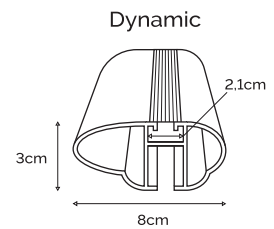
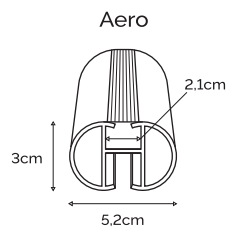
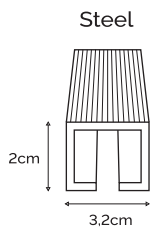
Model: 006



Parts:

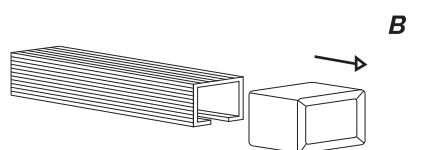
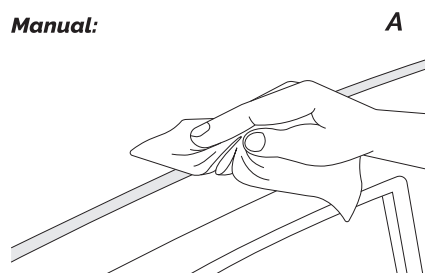


Bar types:

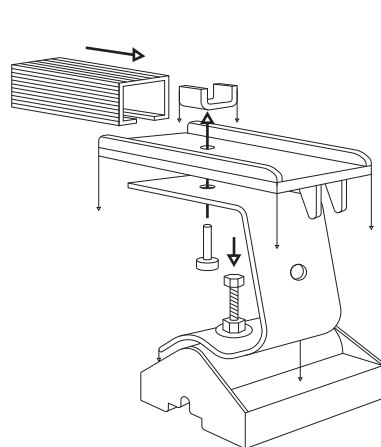


You need to use additional plastic adapter included in the set.
Please use additional rubber and fill in visible slots underneath the bar.

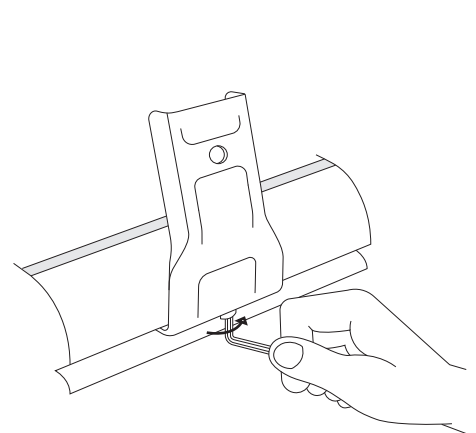
Manual:



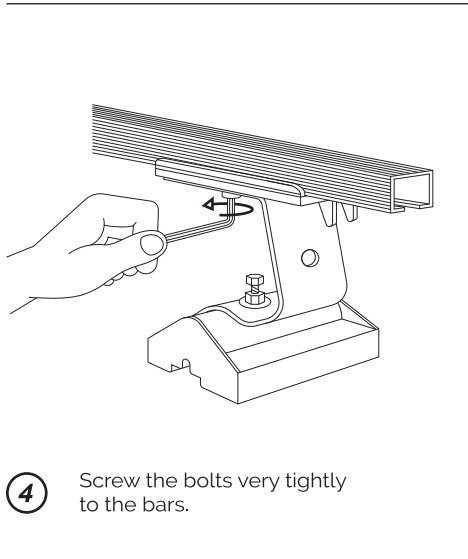
- 1** **A** Clean a place of assembly.
B Remove end caps from bars.



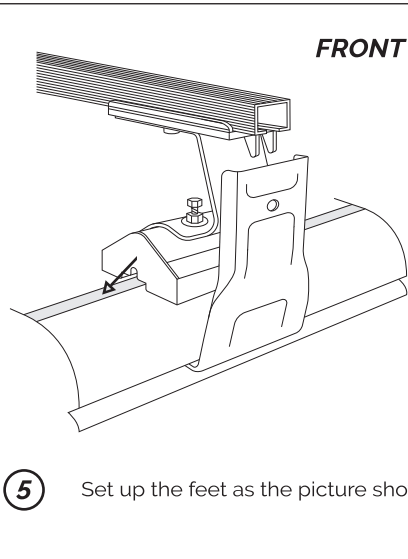
- 2** Loosely attach bracket to foot assembly using screw.



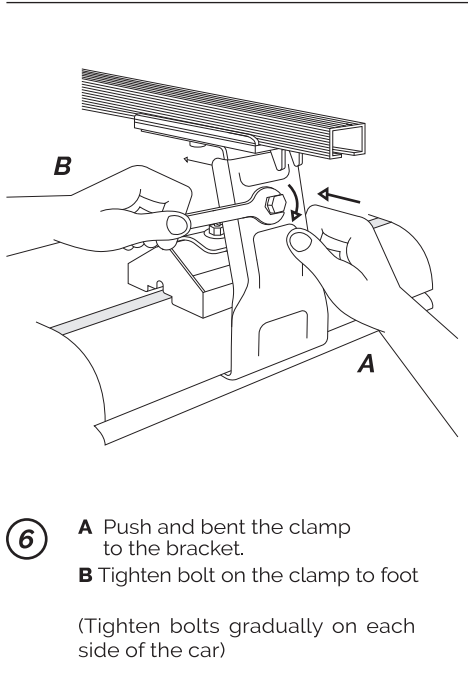
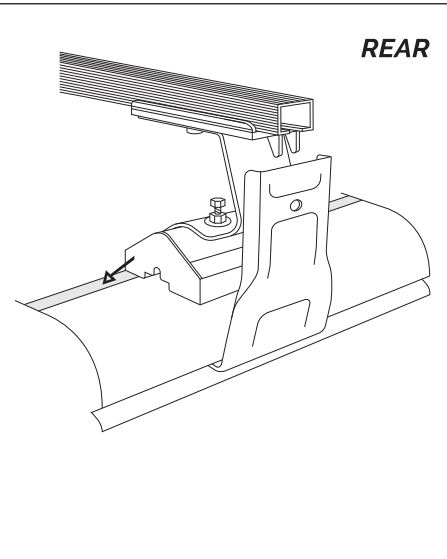
- 3** Screw the clamp to the door frame using a small screw from the set.



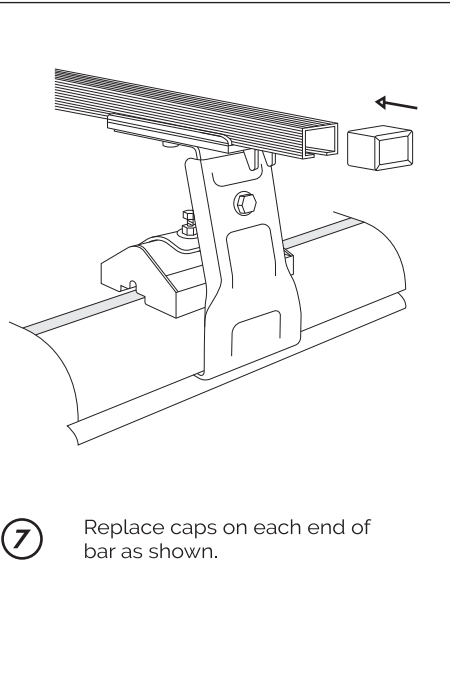
4 Screw the bolts very tightly to the bars.



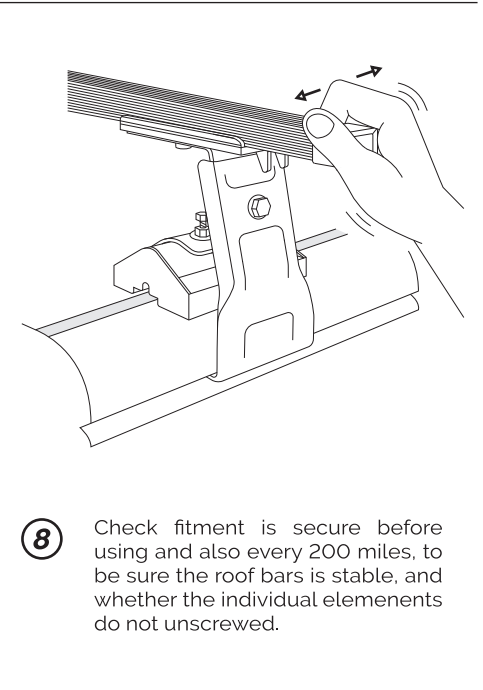
5 Set up the feet as the picture shows.



6 **A** Push and bent the clamp to the bracket.
B Tighten bolt on the clamp to foot
 (Tighten bolts gradually on each side of the car)



7 Replace caps on each end of bar as shown.



8 Check fitment is secure before using and also every 200 miles, to be sure the roof bars is stable, and whether the individual elements do not unscrewed.

Safety Notes



You need to avoid:

Quick Acceleration	Bad roads	Heavy braking	Oversized loads	Improperly fastened loads	Uneven loading	Max load	Check fitment

CONTACT
 Email: office@yogi24.co.uk
www.yogi24.co.uk
www.facebook.com/yogi24ltd

YOGI24 LTD
 East Belfast Enterprise Centre, 68-72 Newtownards Road
 BT4 1GW Belfast, Northern Ireland