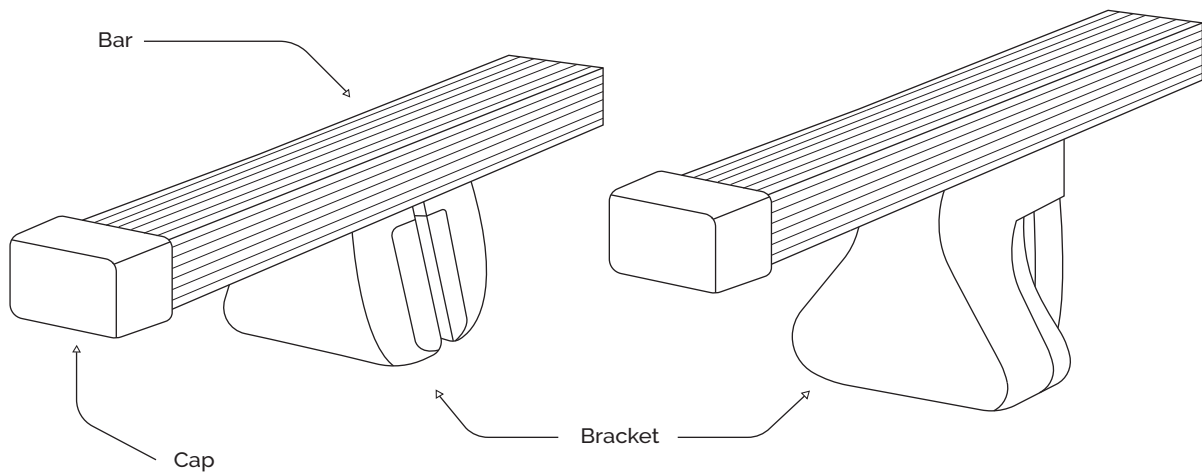


Fitting Instructions

Model: M03AF/M03FU

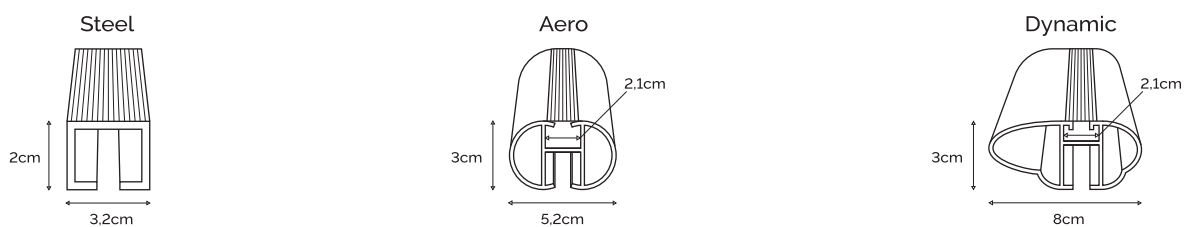


Parts:



This roof rack can come with two different handles.

Bar types:



Please use additional rubber and fill in visible slots underneath the bar.

Rails types:

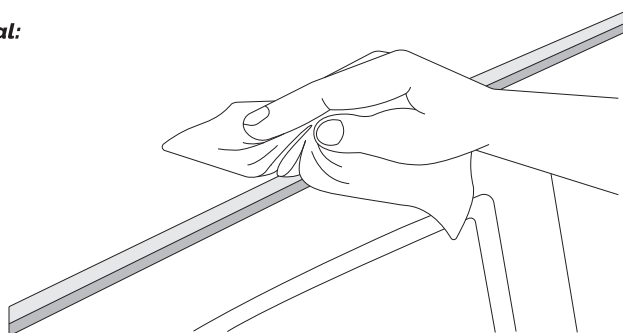
Flush rails

Raised rails

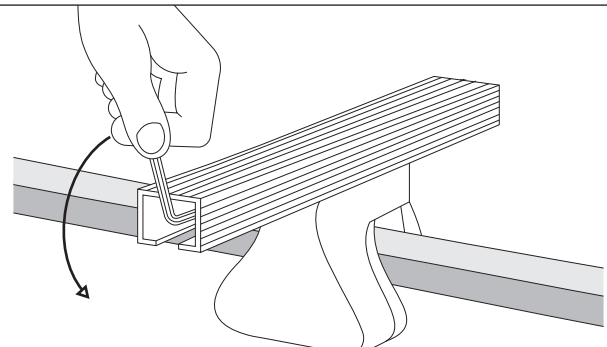


This product is universal and does not use any assembly point.

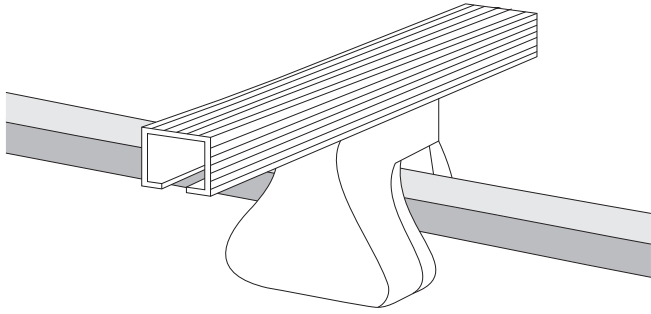
Manual:



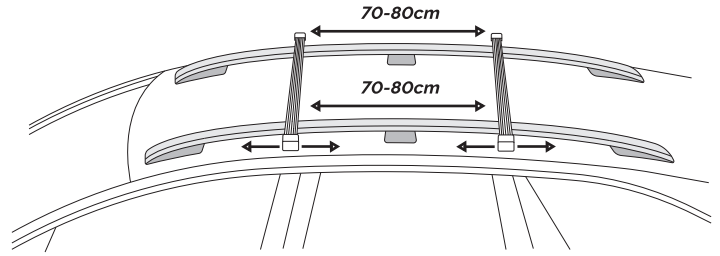
1 Clean a place of assembly.



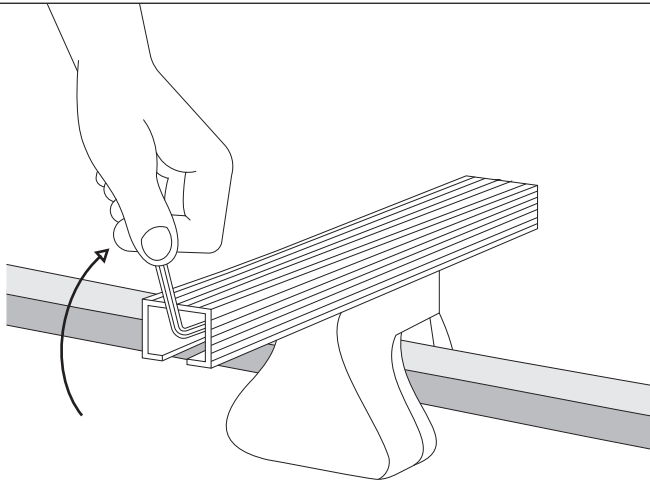
2 Remove the end caps from bars. Open clamp mechanism using allen key.



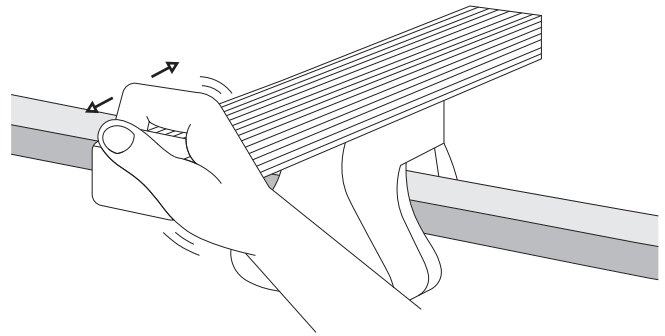
3 Slide onto bar. Centralise bars on the vehicle, provide a symmetrical crossbar position.



4 To minimize the noise please set the bars forward or back while maintaining a distance of 70-80cm between bars.



5 Strongly tighten the bolt and replace end caps.



6 Check fitment is secure before using and also every 200 miles, to be sure the roof bars is stable, and whether the individual elements do not unscrewed.

Safety Notes



You need to avoid:



Quick Acceleration



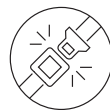
Bad roads



Heavy braking



Oversized loads



Improperly fastened loads



Uneven loading



Max load



Check fitment



CONTACT

Email: office@yogi24.co.uk
www.yogi24.co.uk
www.facebook.com/yogi24ltd

YOGI24 LTD

East Belfast Enterprise Centre, 68-72 Newtownards Road
 BT4 1GW Belfast, Northern Ireland