

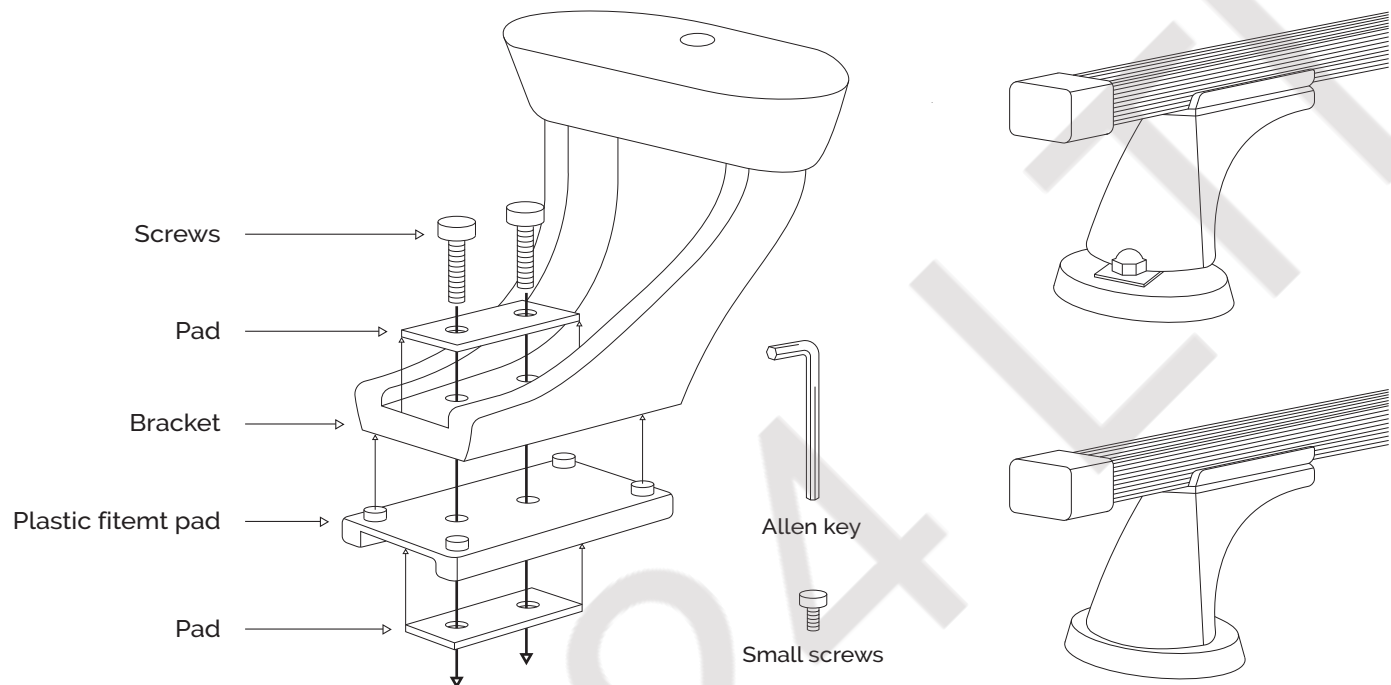
# Fitting Instructions

Model: OKD/OKK

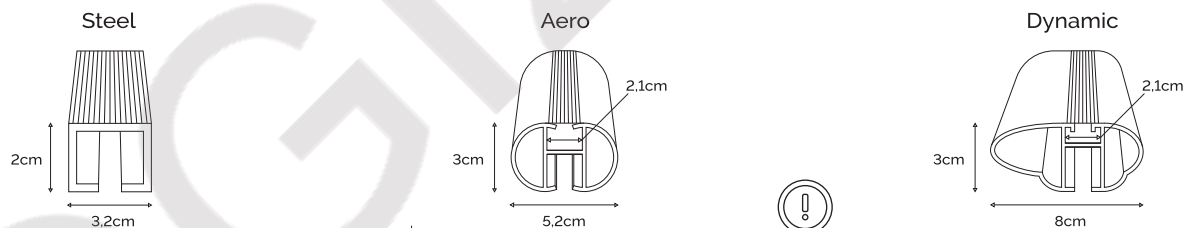
FIXED POINTS



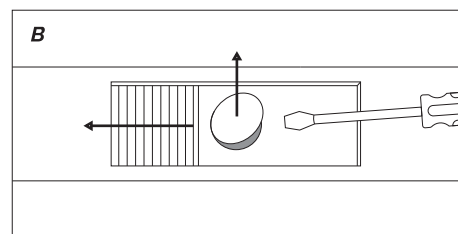
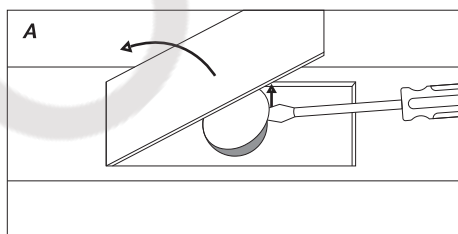
## Parts:



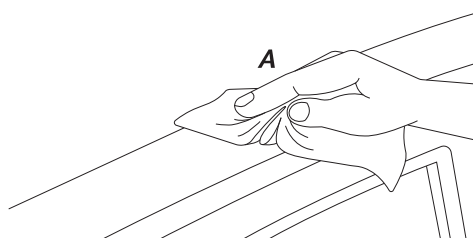
## Bar types:



Please use additional rubber and fill in visible slots underneath the bar.

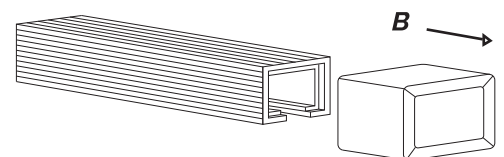


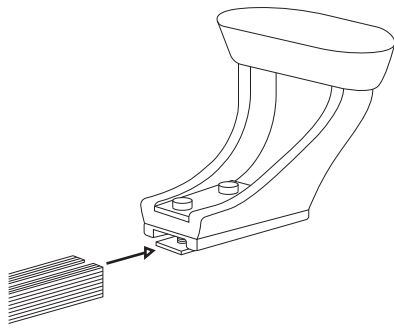
## Manual:



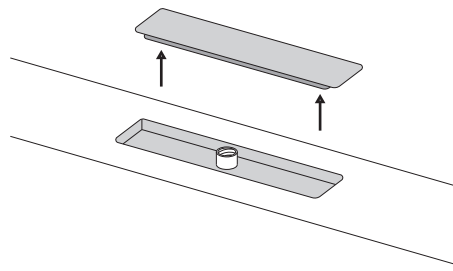
1

A Clean the thread hole.  
B Remove end caps from bars.

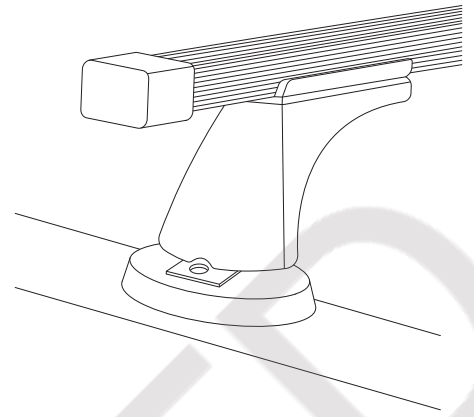




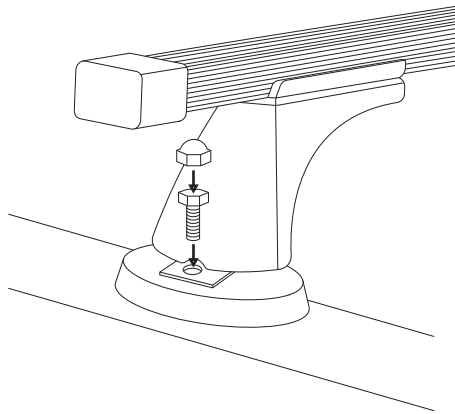
② Remove end caps. Slide in foot into bars. Remember to use protective rubber pad on clamps.



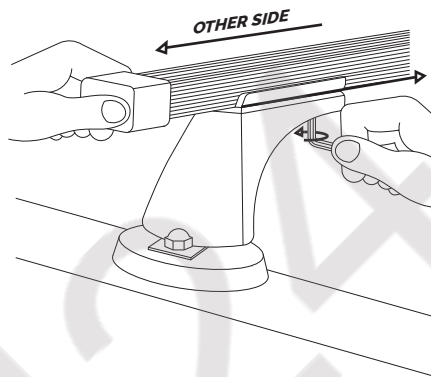
③ Locate fixation points on roof. Remove any trim, or some applications it may be necessary to unscrew a plastic plug.



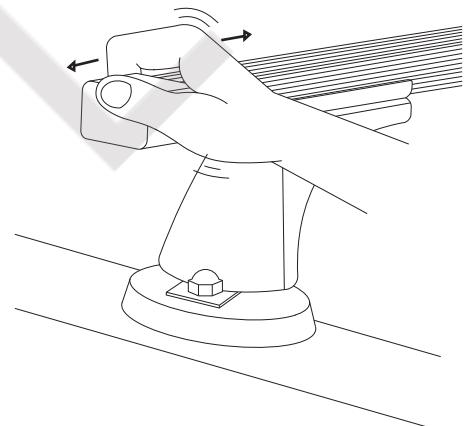
④ Locate a bar on the car roof.



⑤ Attach bars to vehicle using bolt through washer and plate, tighten. Cover head with cap. Tighten bolt.



⑥ Centralise bar. Apply slight pressure inwardly on foot. Tighten bolt using allen key.



⑦ Check fitment is secure before using and also every 200 miles, to be sure the roof is stable, and whether the individual elements do not unscrewed.

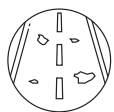
*If the construction is loose, please repeat the operation, start by fitting the handles as close as possible to the middle of the bar.*

## Safety Notes

**You need to avoid:**



Quick Acceleration



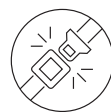
Bad roads



Heavy braking



Oversized loads



Improperly fastened loads



Uneven loading



Max load



Check fitment



### CONTACT

Email: [office@yogi24.co.uk](mailto:office@yogi24.co.uk)  
[www.yogi24.co.uk](http://www.yogi24.co.uk)  
[www.facebook.com/yogi24ltd](https://www.facebook.com/yogi24ltd)

### YOGI24 LTD

East Belfast Enterprise Centre, 68-72 Newtownards Road  
 BT4 1GW Belfast, Northern Ireland